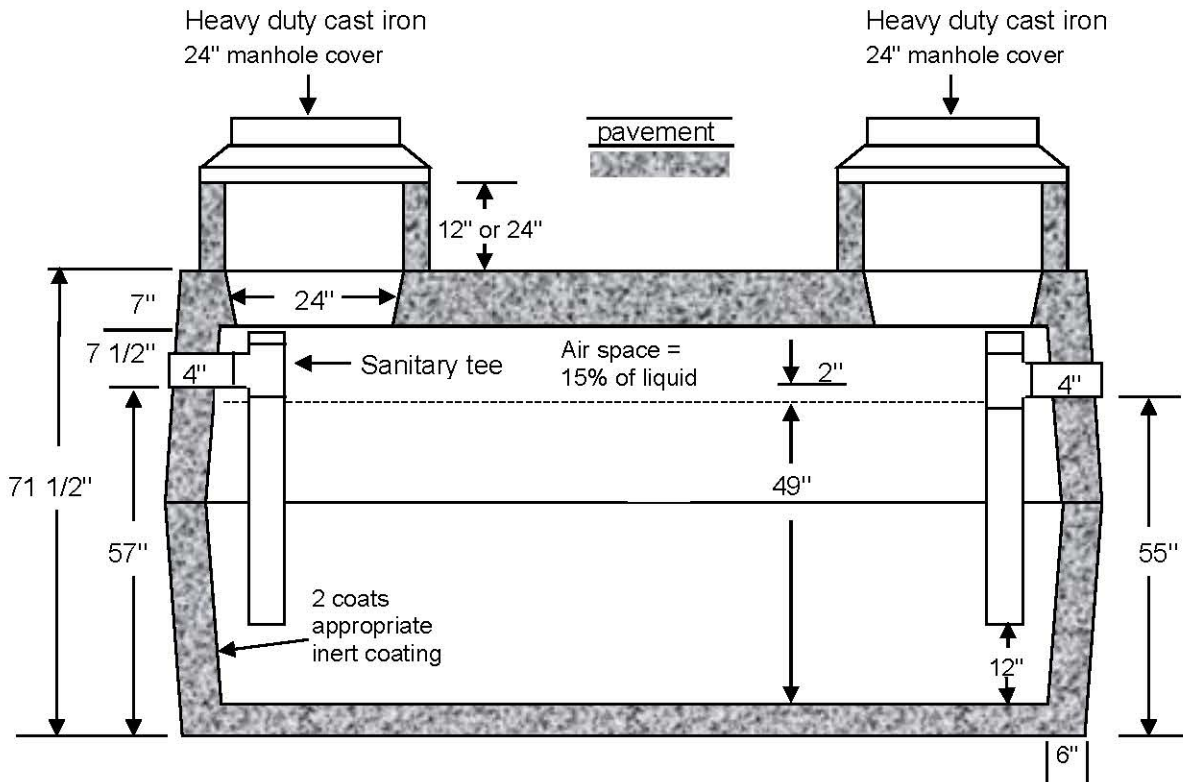
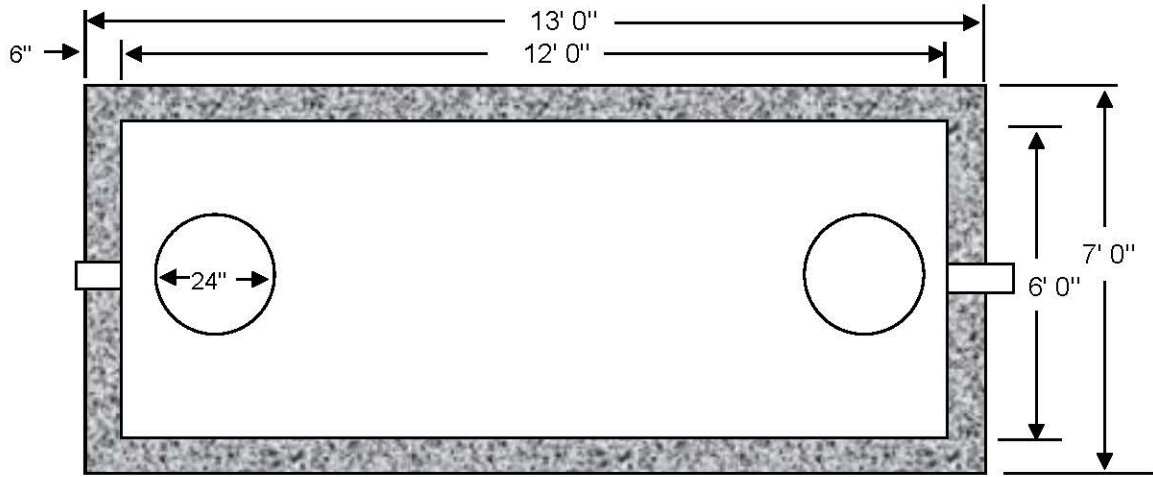


## 2000 H2O GREASE TRAP



As Manufactured by Mershon Concrete - Bordentown, NJ

**Notes:**

1. Tank is 4500 psi concrete - steel reinforced
2. H-20 Loading per ASTM A 615-57T
3. Tank complies with all requirements of NJDEP Chapter 199 7:9A-8.2 and NJDEP Chapter 199 7:9A-8.1 E, F, G, H
4. In an effort to continually improve our products, Mershon Concrete reserves the right to change product design without notice.
5. Openings may be cast to suit.
6. All external components are extra.

|  |                             |
|--|-----------------------------|
|  <p>Rt. 130, PO Box 254<br/>Bordentown, NJ 08505</p> | 1-609-298-2150              |
|  | 1-800-MERSHON               |
|  | 1-609-298-7969 / FAX#       |
|  | <b>2000 H2O Grease Trap</b> |