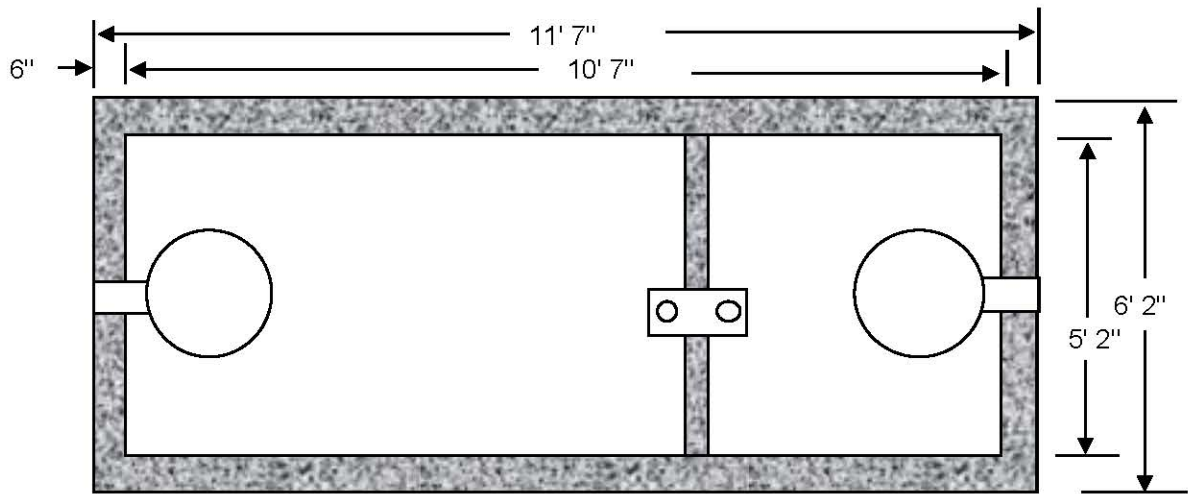
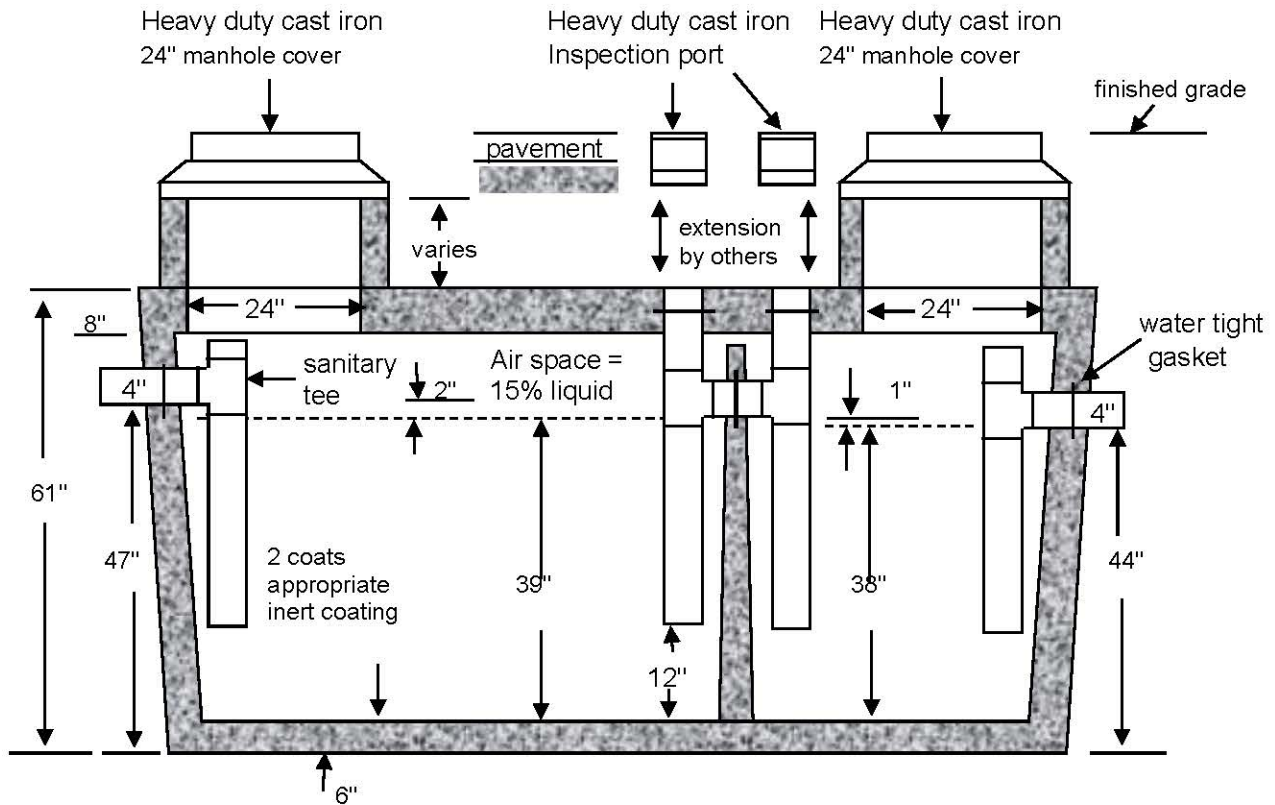


1250 (2 COMPARTMENT) H2O GREASE TRAP



Compartments are 2/3 & 1/3 per NJDEP specifications



As Manufactured by Mershon Concrete - Bordentown, NJ

Notes:

1. Tank is 4500 psi concrete - steel reinforced
2. H-20 Loading per ASTM A 615-57T
3. Tank complies with all requirements of NJDEP Chapter 199 7:9A-8.2 and NJDEP Chapter 199 7:9A-8.1 E, F, G, H
4. In an effort to continually improve our products, Mershon Concrete reserves the right to change product design without notice.
5. Openings may be cast to suit.
6. All external components are extra.

 <p>Rt. 130, PO Box 254 Bordentown, NJ 08505</p>	1-609-298-2150
	1-800-MERSHON
	1-609-298-7969 / FAX#
	1250 (2 compartment) H2O Grease Trap