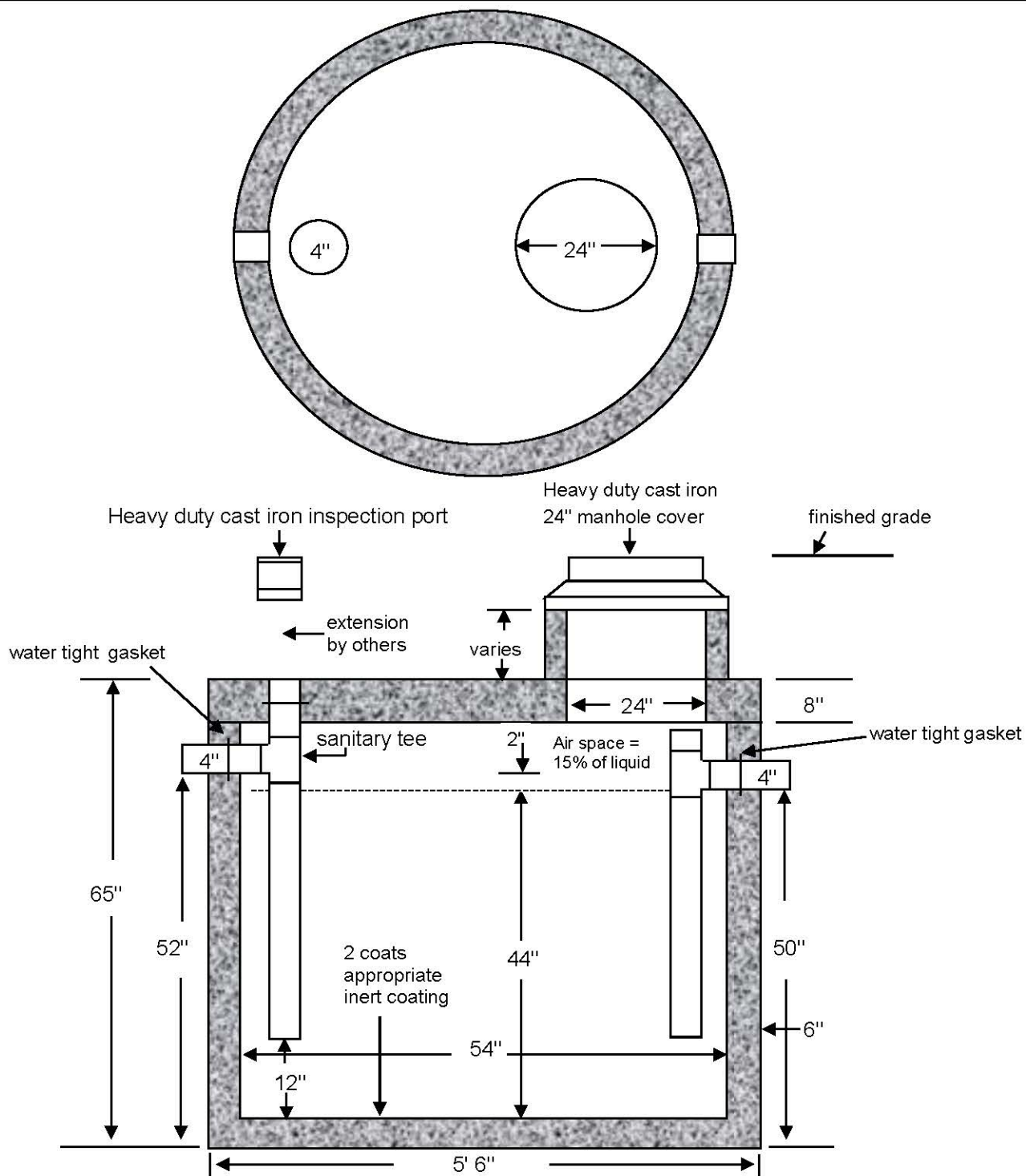


Cast irons and extension sold separately

500 GALLON H₂O GREASE TRAP



As Manufactured by Mershon Concrete - Bordentown, NJ

Notes:

- 1. Tank is 4500 psi concrete - steel reinforced
- 2. H-20 Loading per ASTM A 615-57T
- 3. Tank complies with all requirements of NJDEP Chapter 199 7:9A-8.2 and NJDEP Chapter 199 7:9A-8.1 E, F, G, H
- 4. In an effort to continually improve our products, Mershon Concrete reserves the right to change product design without notice.
- 5. Openings may be cast to suit.
- 6. All external components are extra.

 Rt. 130, PO Box 254 Bordentown, NJ 08505	1-609-298-2150
	1-800-MERSHON
	1-609-298-7969 / FAX#
	500 H ₂ O Grease Trap