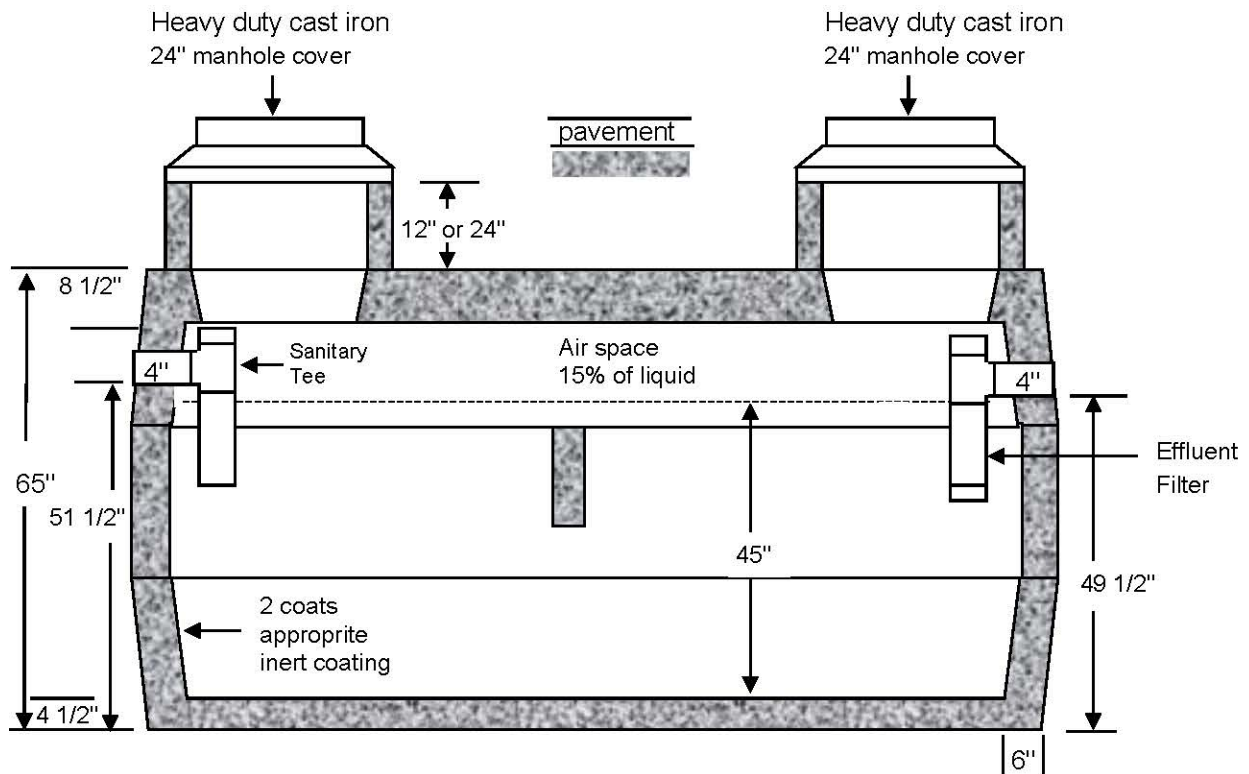
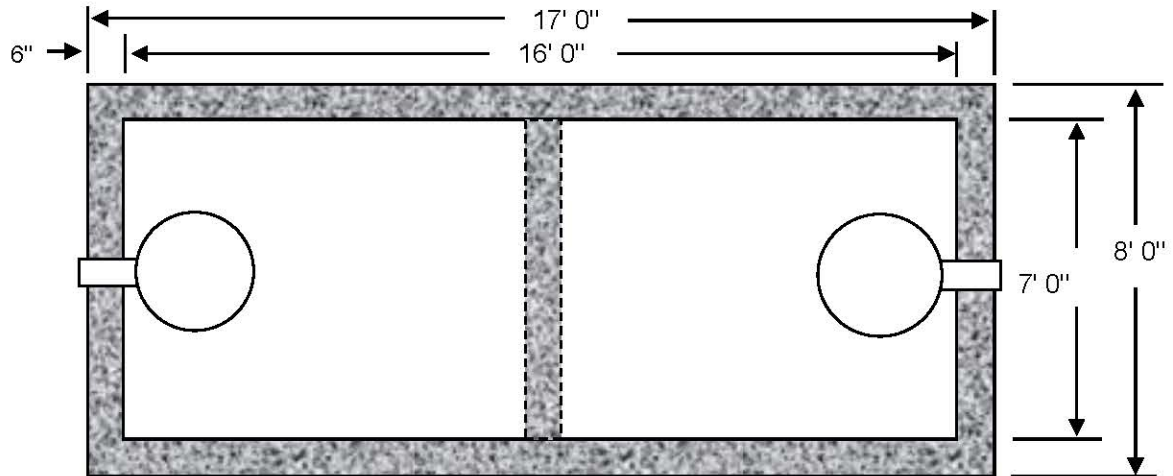


3000 GALLON H2O SEPTIC TANK



As Manufactured by Mershon Concrete - Bordentown, NJ

Notes:

1. Tank is 4000 psi concrete - steel reinforced
2. H-20 Loading per ASTM A 615-57T
3. Tank complies with all requirements of NJDEP Chapter 199 7:9A-8.2 and NJDEP Chapter 199 7:9A-8.1 E, F, G, H
4. In an effort to continually improve our products, Mershon Concrete reserves the right to change product design without notice.
5. Openings may be cast suit.
6. Baffles @ 25% liquid level.

 Rt. 130, PO Box 254 Bordentown, NJ 08505	1-609-298-2150
	1-800-MERSHON
	1-609-298-7969 / FAX#
	3000 H2O Septic Tank