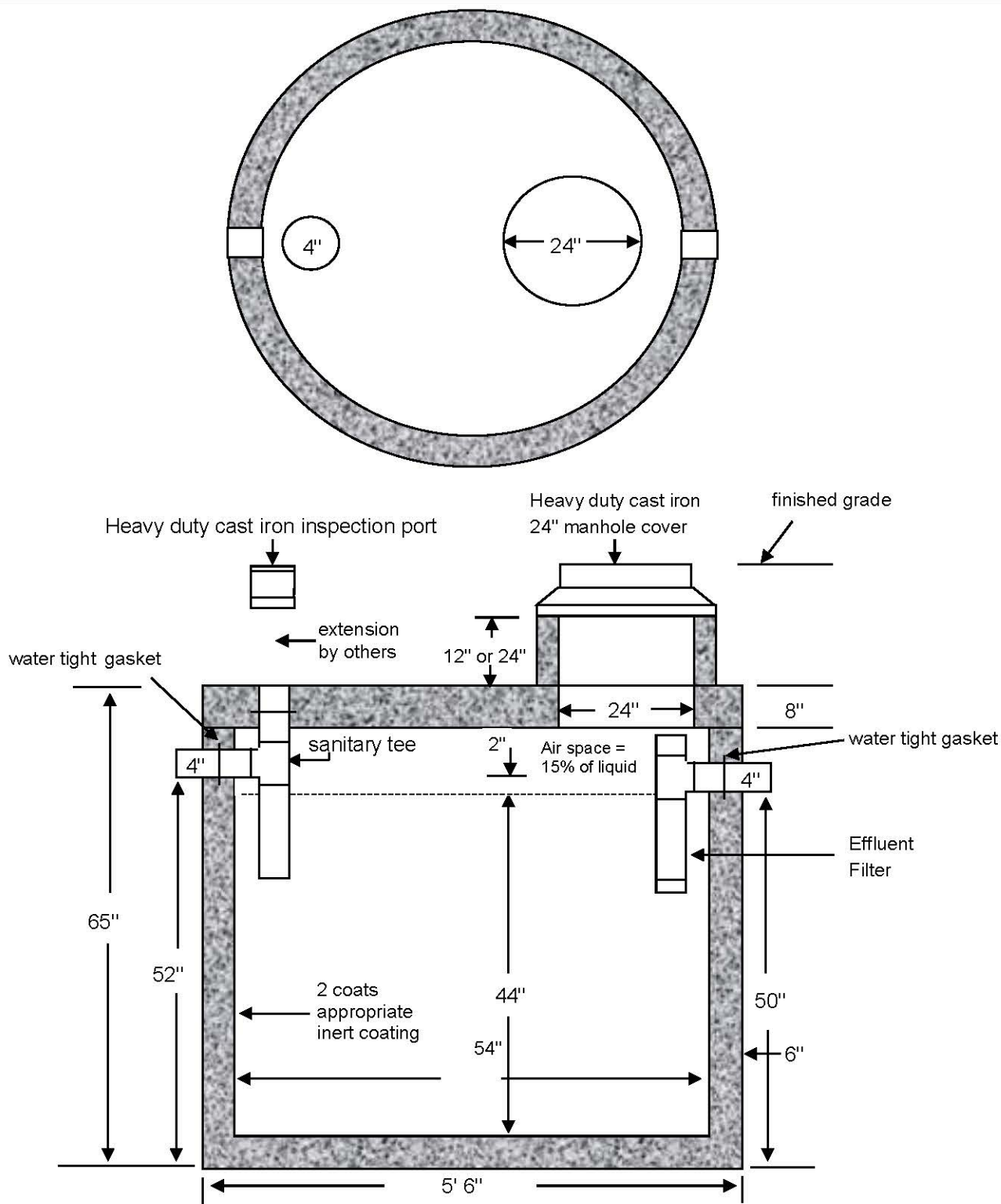


Cast irons and extensions sold separately

500 GALLON H2O SEPTIC TANK



As Manufactured by Mershon Concrete - Bordentown, NJ

Notes:

1. Tank is 4000 psi concrete - steel reinforced
2. H-20 Loading per ASTM A 615-57T
3. Tank complies with all requirements of NJDEP Chapter 199 7:9A-8.2 and NJDEP Chapter 199 7:9A-8.1 E, F, G, H
4. In an effort to continually improve our products, Mershon Concrete reserves the right to change product design without notice.
5. Openings may be cast suit.



Rt. 130, PO Box 254

1-609-298-2150

1-800-MERSHON

1-609-298-7969 / FAX#