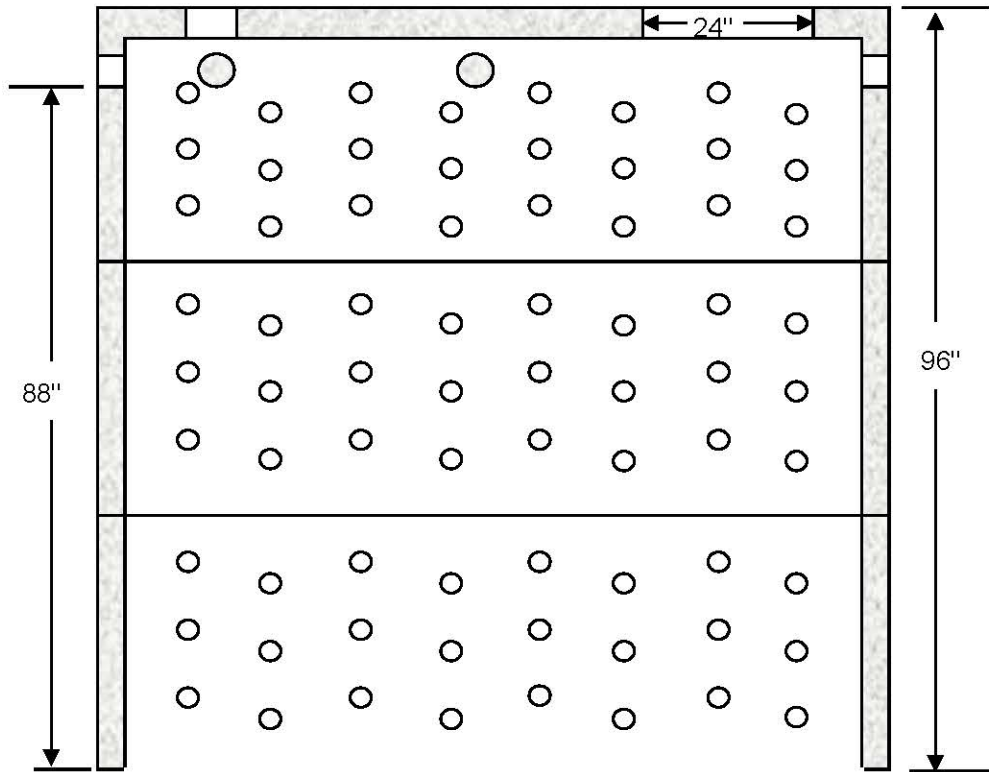
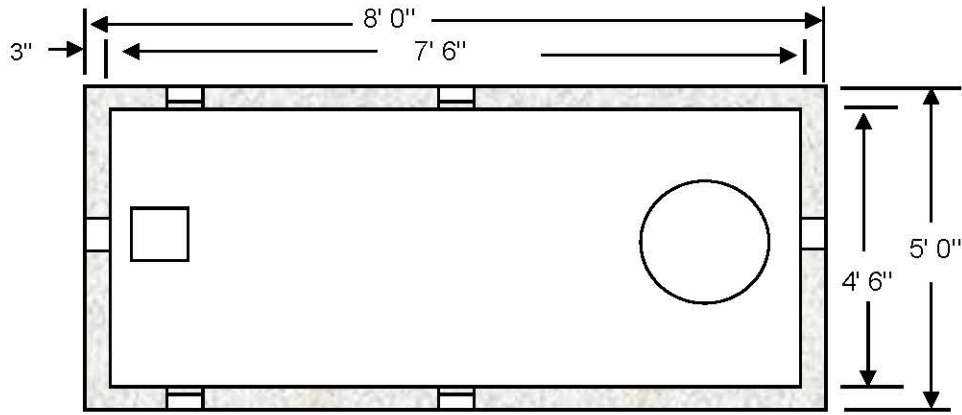



1800 GALLON 3PC DRY WELL



As Manufactured by Mershon Concrete - Bordentown, NJ

Notes:

1. Tank is 4000 psi concrete - steel reinforced
2. Concrete conforms to ACI 318-16-4.5.1 and ACI 318-16-4.5.2
3. In an effort to continually improve our products, Mershon Concrete reserves the right to change product design without notice.

| | |
|---|-----------------------|
|  Rt. 130, PO Box 254 Bordentown, NJ 08505 | 1-609-298-2150 |
| | 1-800-MERSHON |
| | 1-609-298-7969 / FAX# |
| | 1800 Gallon Dry Well |