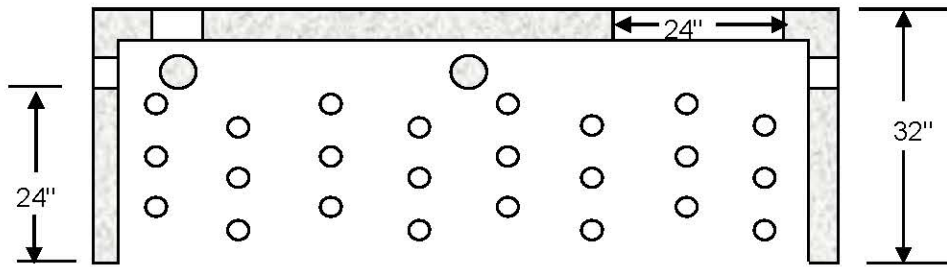
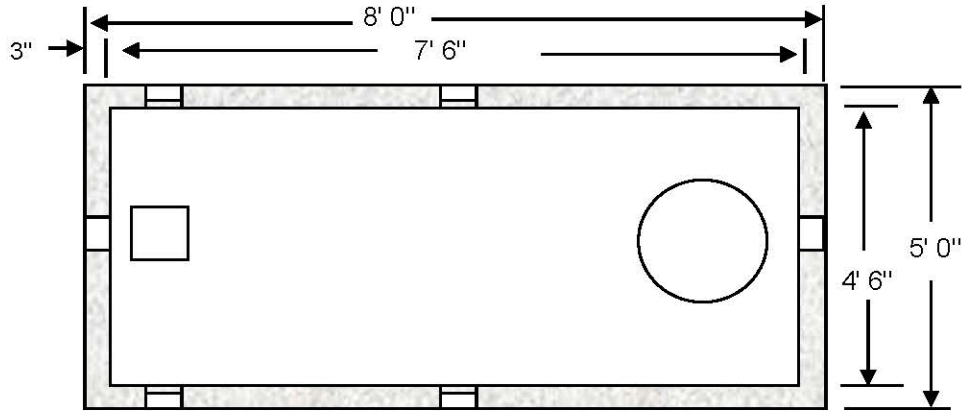


600 GALLON DRY WELL



As Manufactured by Mershon Concrete - Bordentown, NJ

Notes:

1. Tank is 4000 psi concrete - steel reinforced
2. Concrete conforms to ACI 318-16-4.5.1 and ACI 318-16-4.5.2
3. In an effort to continually improve our products, Mershon Concrete reserves the right to change product design without notice.

 <p>Rt. 130, PO Box 254 Bordentown, NJ 08505</p>	1-609-298-2150
	1-800-MERSHON
	1-609-298-7969 / FAX#
	600 Gallon Dry Well