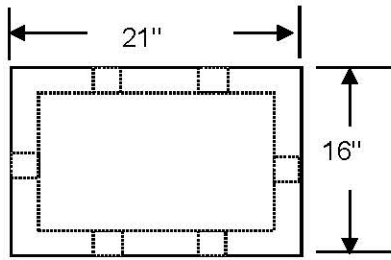
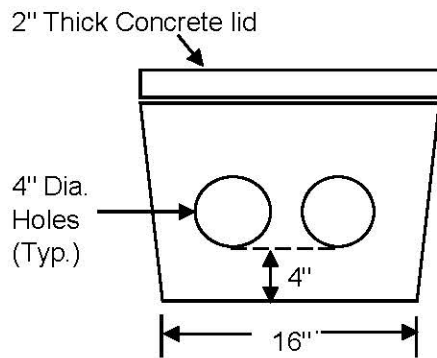


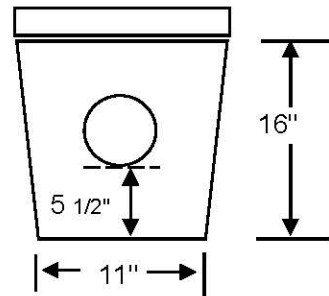
5 HOLE DISTRIBUTION BOX



TOP VIEW



SIDE VIEW



END VIEW

1 Inlet, 5 Outlet w/Gaskets

Notes:

1. All dimensions are approximated.
2. 4000 PSI Concrete
3. Reinforcing - 1.6 x 1.6 WWF.

Dimensions

- Length - 21"
 Width - 16"
 Height - 16"

As Manufactured by Mershon Concrete - Bordentown, NJ

Note: In an effort to continually improve our products, Mershon Concrete reserves the right to change product design without notice.

 <p>Rt. 130, PO Box 254 Bordentown, NJ 08505</p>	1-609-298-2150
	1-800-MERSHON
	1-609-298-7969 / FAX#
	5 Hole Distribution Box