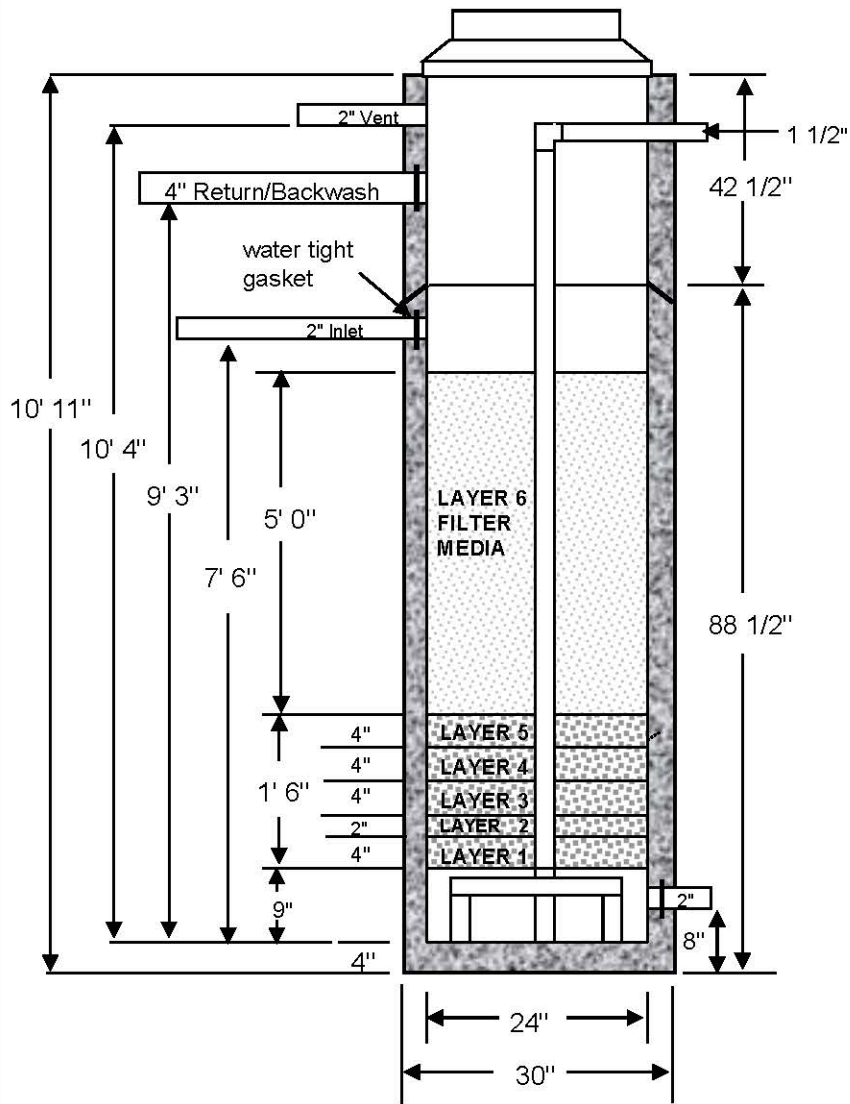
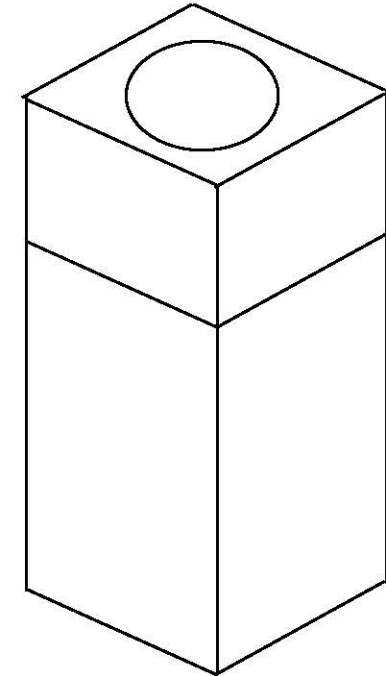
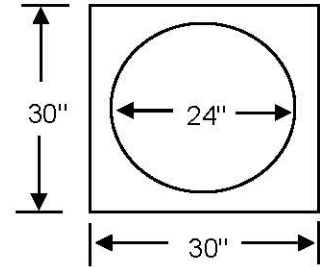


AMPHIDROME REACTOR



GRAVEL AND MEDIA LAYERS

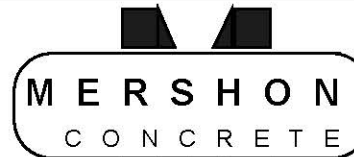
LAYER 1	1 1/2" X 3/4" GRAVEL	4" DEPTH
LAYER 2	3/4" X 1/2" GRAVEL	2" DEPTH
LAYER 3	1/2" X 1/4" GRAVEL	4" DEPTH
LAYER 4	1/4" X 1/8" GRAVEL	4" DEPTH
LAYER 5	1/2" X 1/4" GRAVEL	4" DEPTH
LAYER 6	FILTER MEDIA	5' DEPTH



Notes:

1. Reactor is 4000 psi concrete - steel reinforced
2. Concrete conforms to ACI 318-16-4.5.1 and ACI 318-16-4.5.2
3. Reactor designed and approved for use in F.R. Mahony Amphidrome® systems.
4. Amphidrome components and filter media by others.

As Manufactured by Mershon Concrete
Bordentown, NJ



Rt. 130, PO Box 254
Bordentown, NJ 08505

1-609-298-2150

1-800-MERSHON

1-609-298-7969 / FAX#

Amphidrome Reactor 2