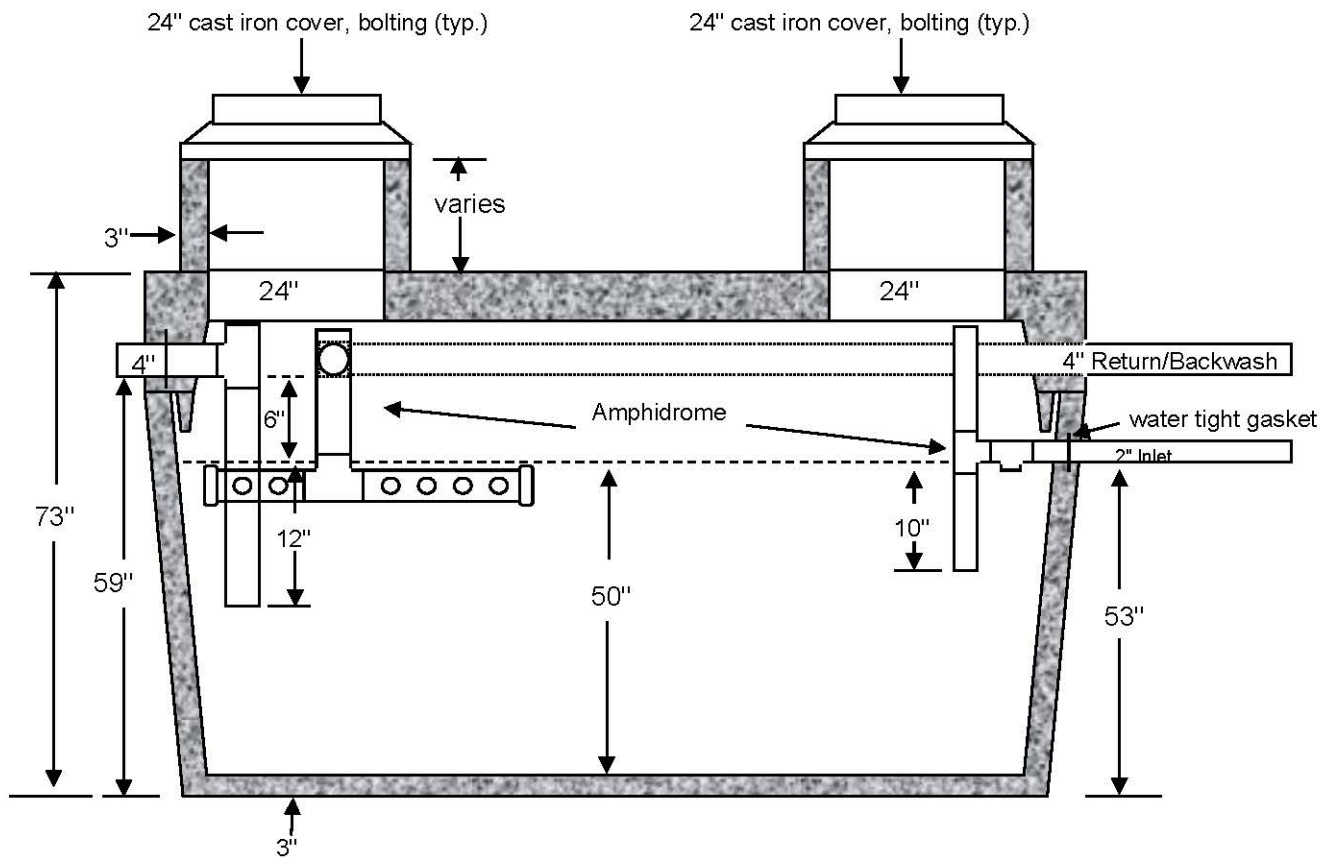
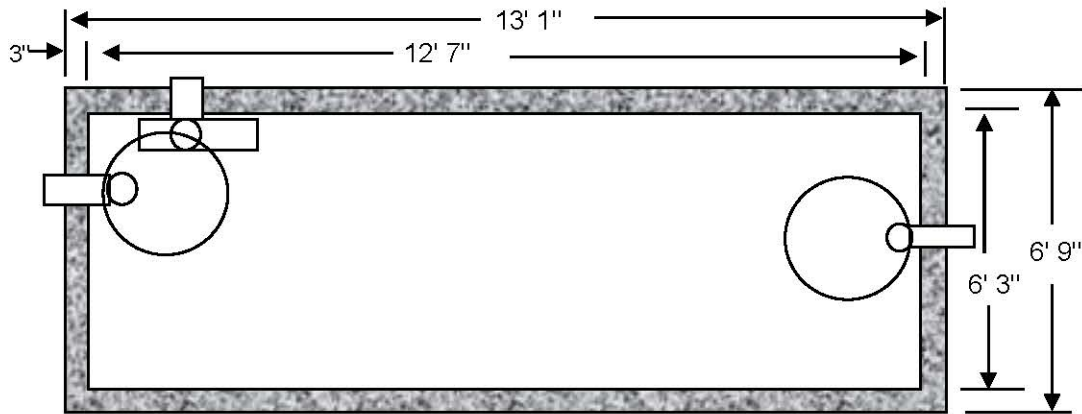


# 2000 GALLON ANOXIC TANK



As Manufactured by Mershon Concrete - Bordentown, NJ

**Notes:**

1. Tank is 4000 psi concrete - steel reinforced
2. Concrete conforms to ACI 318-16-4.5.1 and ACI 318-16-4.5.2
3. Tank designed and approved for use in F.R. Mahony Amphidrome® systems.



Rt. 130, PO Box 254  
Bordentown, NJ 08505

1-609-298-2150

1-800-MERSHON

1-609-298-7969 / FAX#

2000 Gallon Anoxic Tank