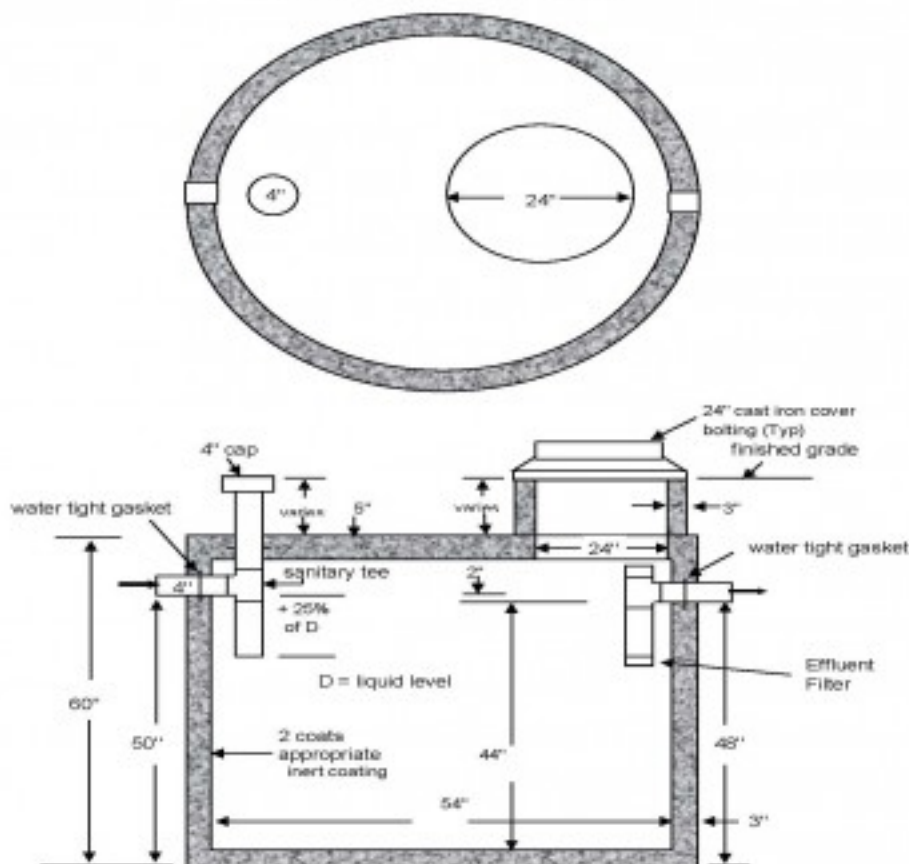


500 GALLON SEPTIC TANK



As Manufactured by Mershon Concrete - Bordentown, NJ

Notes:

1. Tank is 4000 psi concrete - steel reinforced
2. Concrete conforms to ACI 318-18-4.5.1 and ACI 318-18-4.5.2
3. Tank complies with all requirements of NJDEP Chapter 199 7:9A-8.2
4. In an effort to continually improve our products, Mershon Concrete reserves the right to change product design without notice.



Rt. 130, PO Box 254
Bordentown, NJ 08505

1-609-298-2150

1-800-MERSHON

1-609-298-7969 / FAX#

500 Gallon Septic Tank