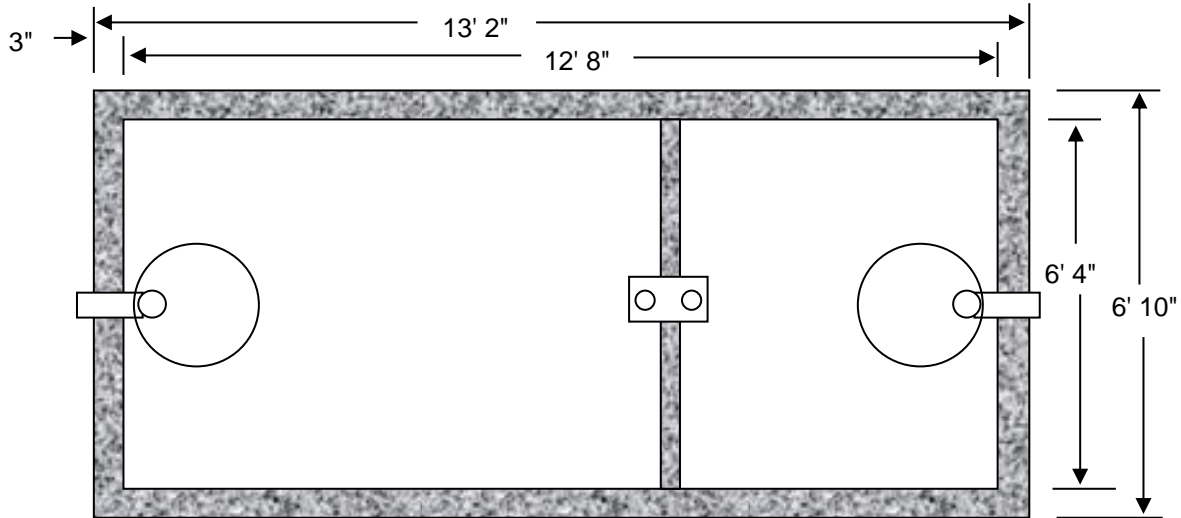
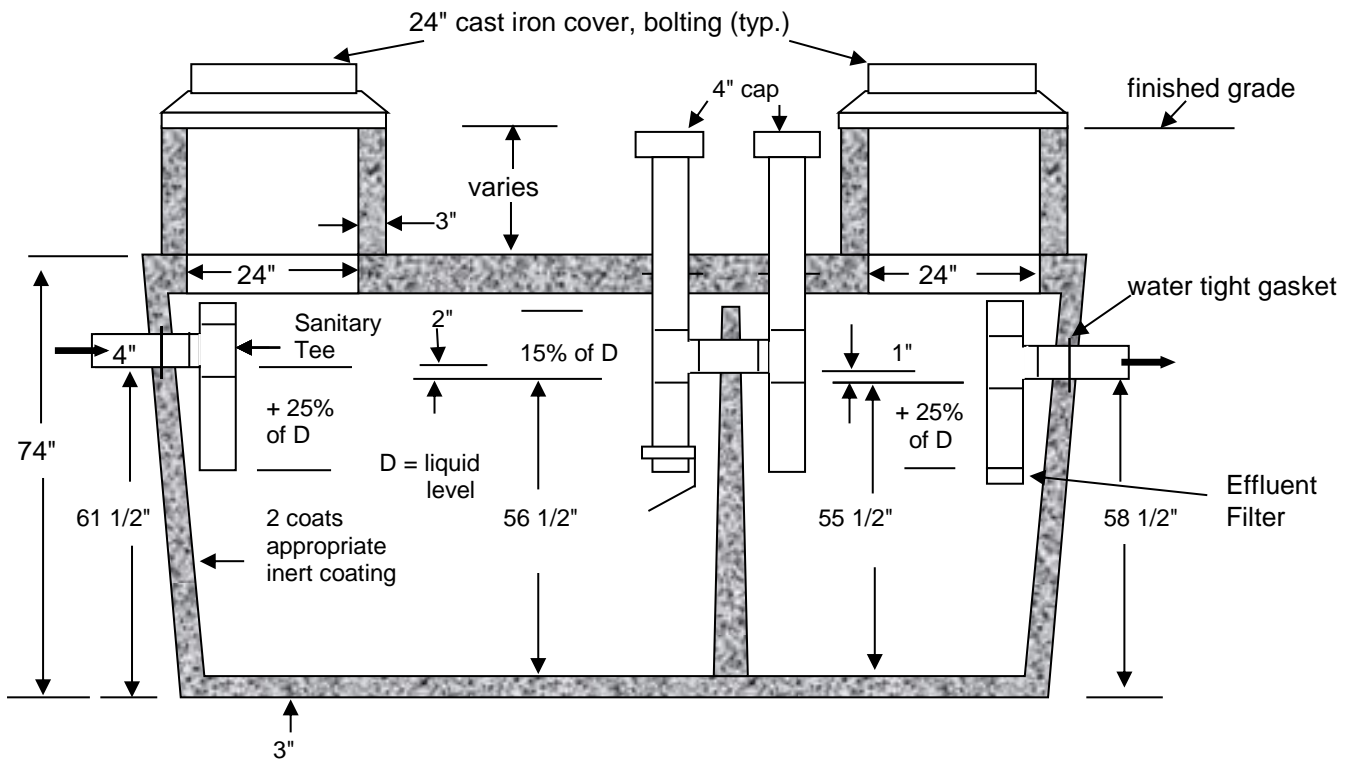


### 2500 GALLON (2 COMPARTMENT) SEPTIC TANK



Compartments are 2/3 & 1/3 per NJDEP specifications



As Manufactured by Mershon Concrete - Bordentown, NJ

**Notes:**

1. Tank is 4000 psi concrete - steel reinforced
2. Concrete conforms to ACI 318-16-4.5.1 and ACI 318-16-4.5.2
3. Tank complies with all requirements of NJDEP Chapter 199 7:9A-8.2
4. In an effort to continually improve our products, Mershon Concrete reserves the right to change product design without notice.



Rt. 130, PO Box 254  
Bordentown, NJ 08505

1-609-298-2150

1-800-MERSHON

1-609-298-7969 / FAX#

2500 (2 Comp) Septic Tank