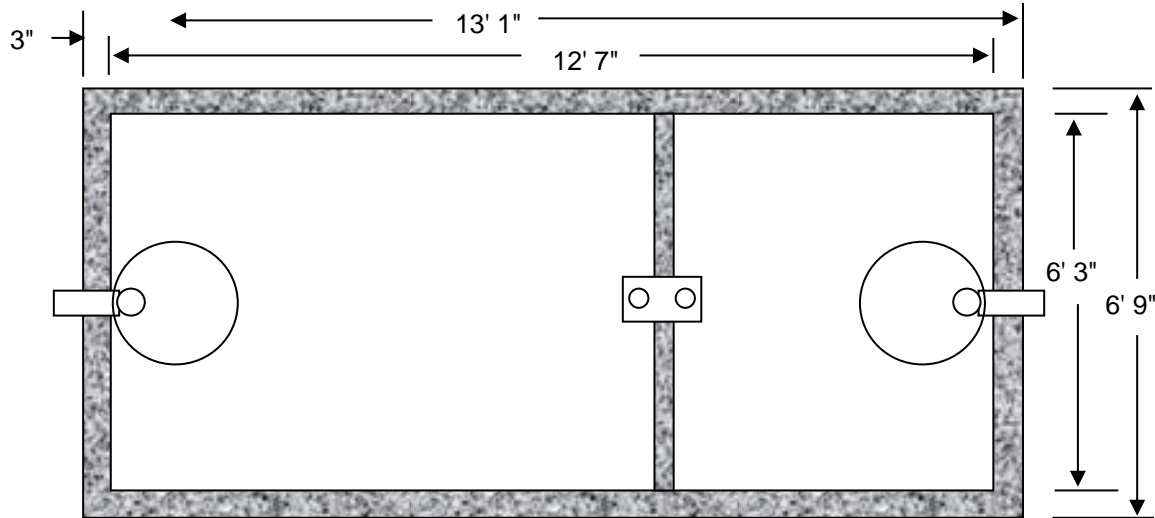
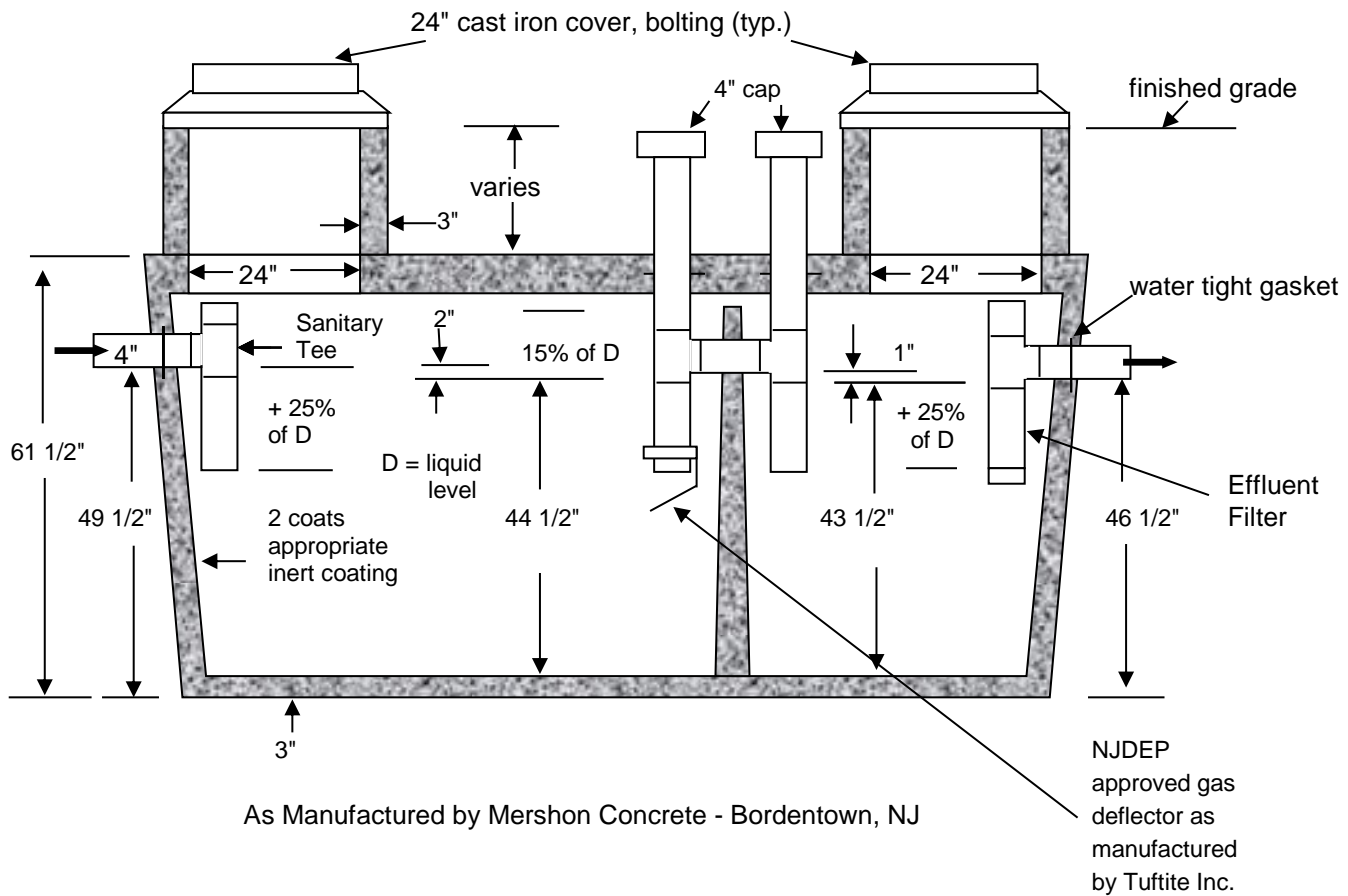


2000 GALLON (2 COMPARTMENT) SEPTIC TANK



Compartments are 2/3 & 1/3 per NJDEP specifications



As Manufactured by Mershon Concrete - Bordentown, NJ

Notes:

1. Tank is 4000 psi concrete - steel reinforced
2. Concrete conforms to ACI 318-16-4.5.1 and ACI 318-16-4.5.2
3. Tank complies with all requirements of NJDEP Chapter 199 7:9A-8.2
4. In an effort to continually improve our products, Mershon Concrete reserves the right to change product design without notice.

<p style="text-align: center;">M E R S H O N C O N C R E T E</p>	<p>1-609-298-2150</p> <hr/> <p>1-800-MERSHON</p> <hr/> <p>1-609-298-7969 / FAX</p> <hr/> <p>2000 (2 Comp) Septic</p>
<p>Rt. 130, PO Box 254 Bordentown, NJ 08505</p>	