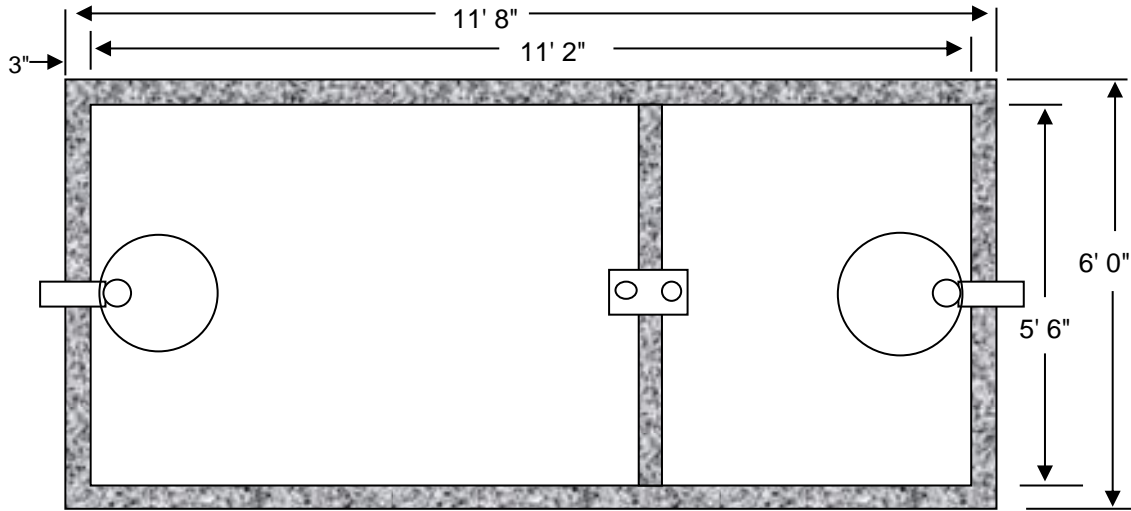
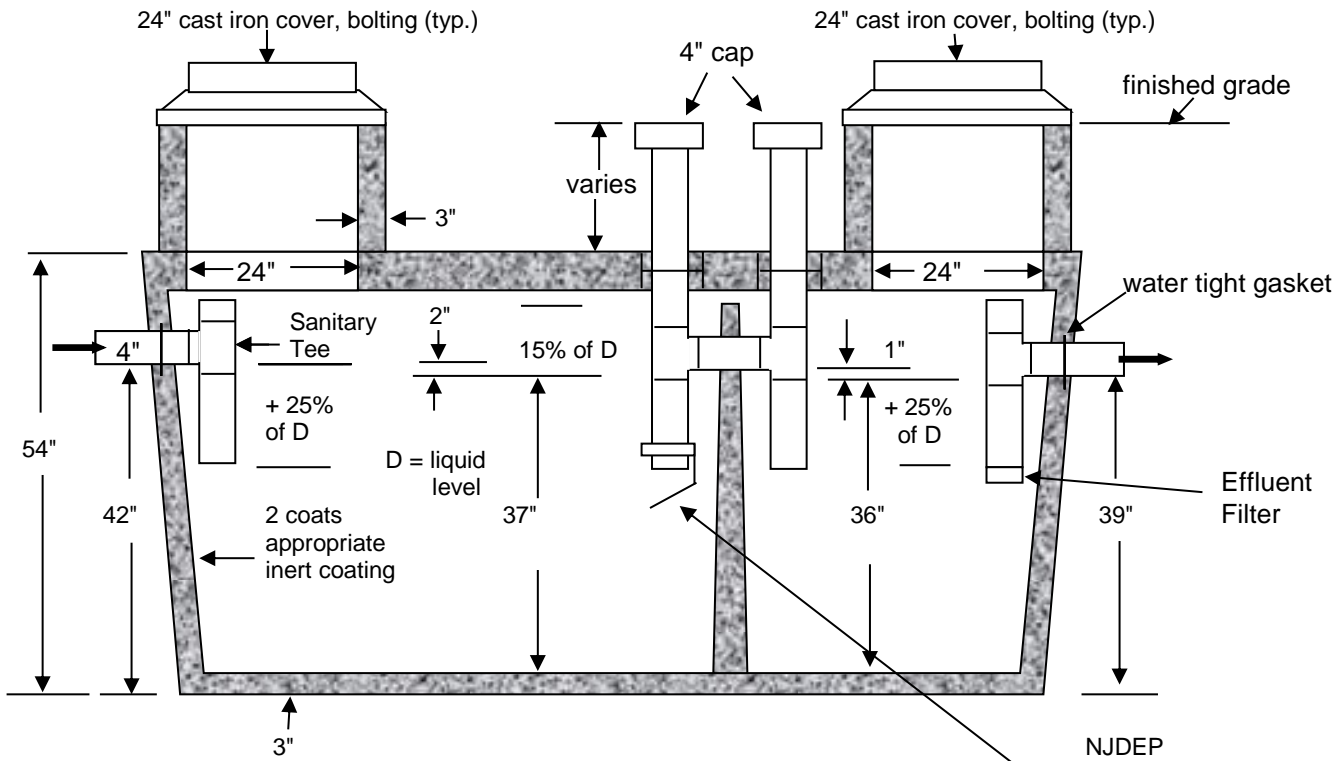


### 1300 (2 COMPARTMENT) SEPTIC TANK



Compartments are 2/3 & 1/3 per NJDEP specifications




As Manufactured by Mershon Concrete - Bordentown, NJ

NJDEP approved gas deflector as manufactured by Tuffite Inc.

**Notes:**

1. Tank is 4000 psi concrete - steel reinforced
2. Concrete conforms to ACI 318-16-4.5.1 and ACI 318-16-4.5.2
3. Tank complies with all requirements of NJDEP Chapter 199 7:9A-8.2
4. In an effort to continually improve our products, Mershon Concrete reserves the right to change product design without notice.

 <p>Rt. 130, PO Box 254 Bordentown, NJ 08505</p>	1-609-298-2150
	1-800-MERSHON
	1-609-298-7969 / F
	1300 (2 Comp) Se